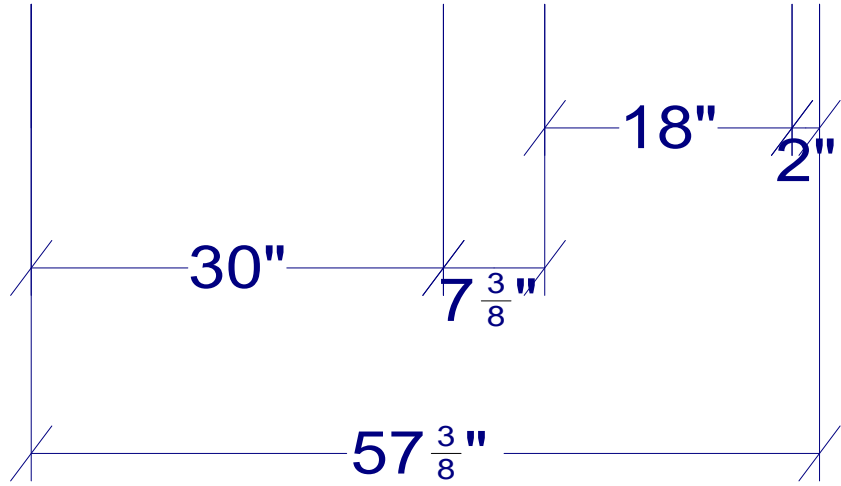


OVERALL HEIGHT 93
FULL HEIGHT 90 1/4
UPPER HEIGHT 41 1/2
UPPER DEPTH 10



All dimensions and size designations given are subject to verification on job site and adjustment to fit job conditions.		This is an original design and must not be released or copied unless applicable fee has been paid or job order placed.	Designed: 12/21/2023 Printed: 12/21/2023
A2215P	All	Drawing #: 1 No Scale.	